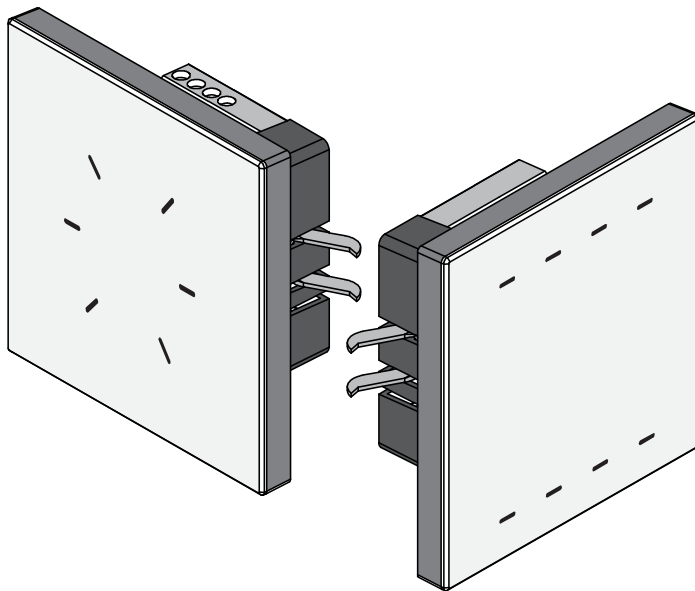


Description

HBB Touch Switches are the friendly members of the system that can control the utilities with only one simple touch. The perfect capacitive touch buttons can sense every touches from your skin. The LED indicators with different colors can make a smooth and beautiful view on the wall. The compatibility with H-BUS let you to control different lights or scenarios.

Features

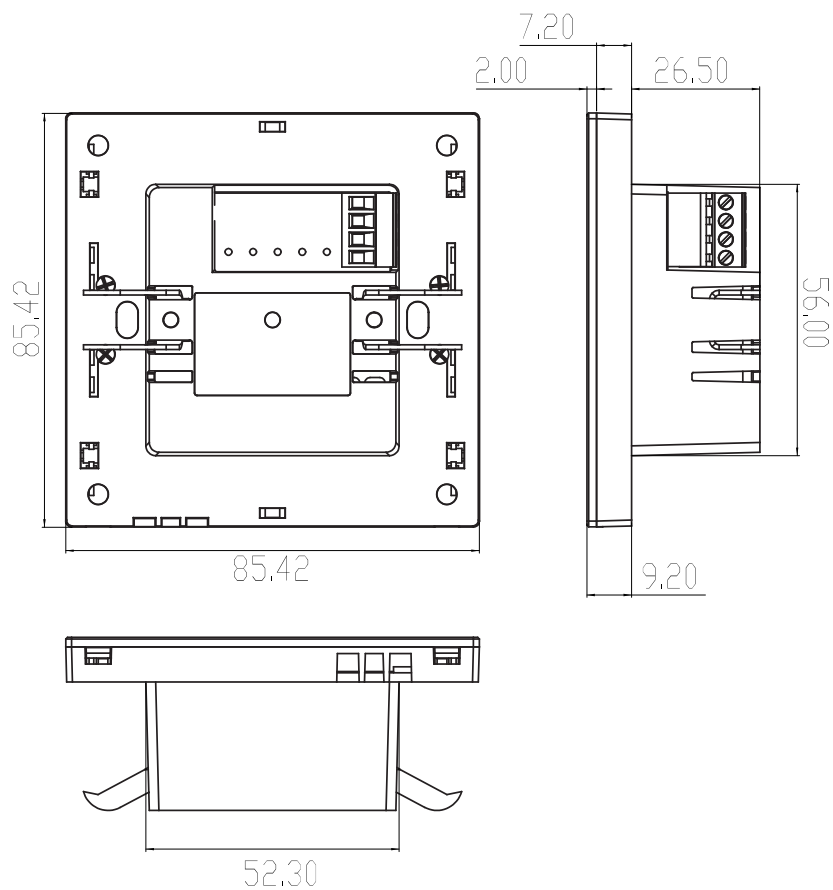
- Capacitive touch buttons
- Auto calibration
- Broadcast detection
- Clean / test mode
- LED indicators
- H-BUS compatible
- 3 Methods of standard wall mount installation
- DIY Button defining



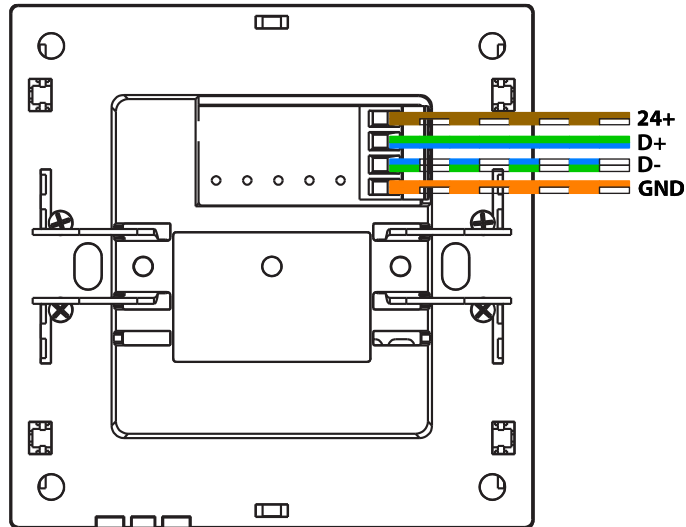
Specifications

- Operating voltage: 18 ~ 24.5 V DC
- Maximum operating current: 100 mA
- Normal operating current: 50 mA
- Button type: Capacitive touch buttons
- Indicators: RGB LEDs
- Communication: H-BUS
- Installation: Wall mount and wall clamps
- Weight: 50 g
- Size: W 84 x L 120 x H 12.6(40.7) (mm)

Dimensions (mm)



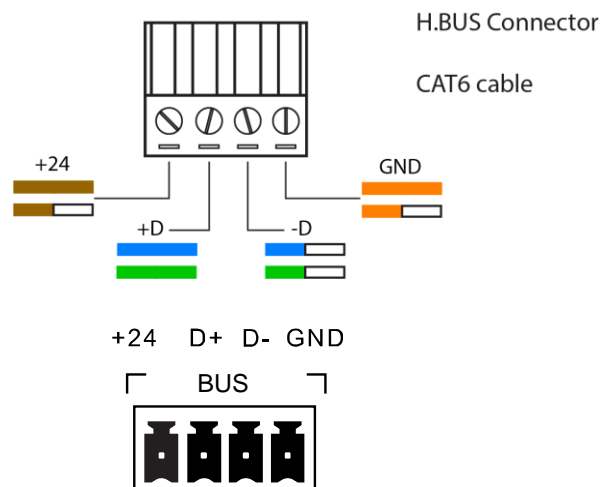
Electrical diagram



*****Caution: Data lines (D+ and D-) may differs in different models. Pay attention to the guide label behind the BUS Coupler.**

Communication

H.BUS GND		orange
H.BUS GND		w/orange
H.BUS D+		blue
H.BUS D-		w/blue
H.BUS D+		green
H.BUS D-		w/green
H.BUS +24V		brown
H.BUS +24V		w/brown



Physical Installation

