

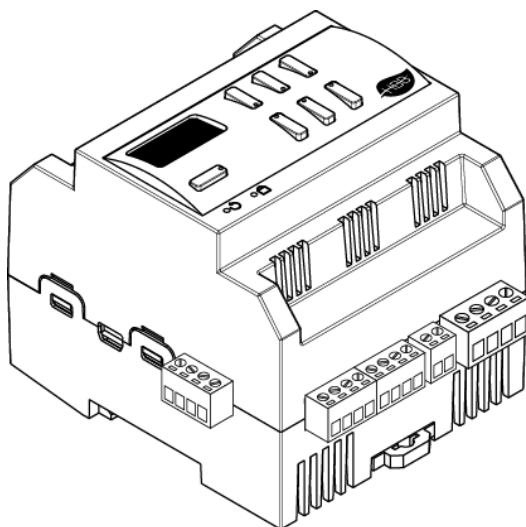
## Description

HBB complex relay controller is able to connect each relay output to a dry digital input. This device has an inner RSIP module which can handle the communication between user and BUS network on WiFi.

6CH 10A relays and 2CH 16A relays makes this device suitable for small lighting projects with different lines.

## Features

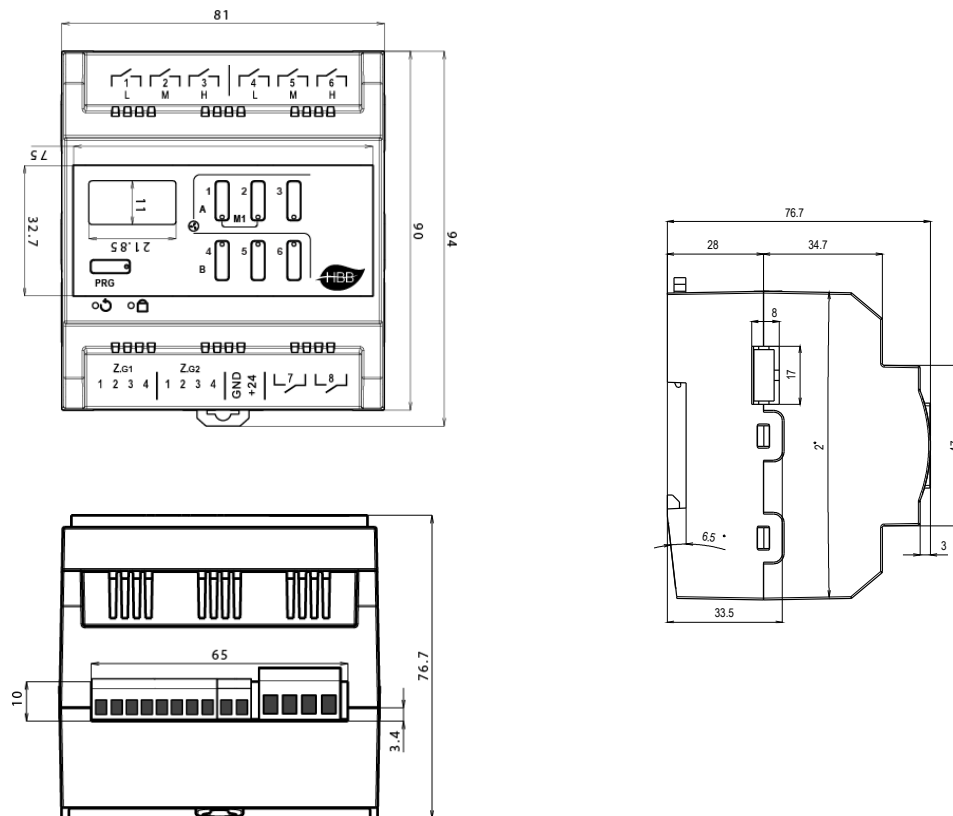
- 2 fan coil controller channels
- 3 motor channels
- 6 10A and 2 16A channels
- WiFi RSIP
- 8 dry digital inputs
- H-BUS compatible
- DIN rail installation
- Combo DIY installation



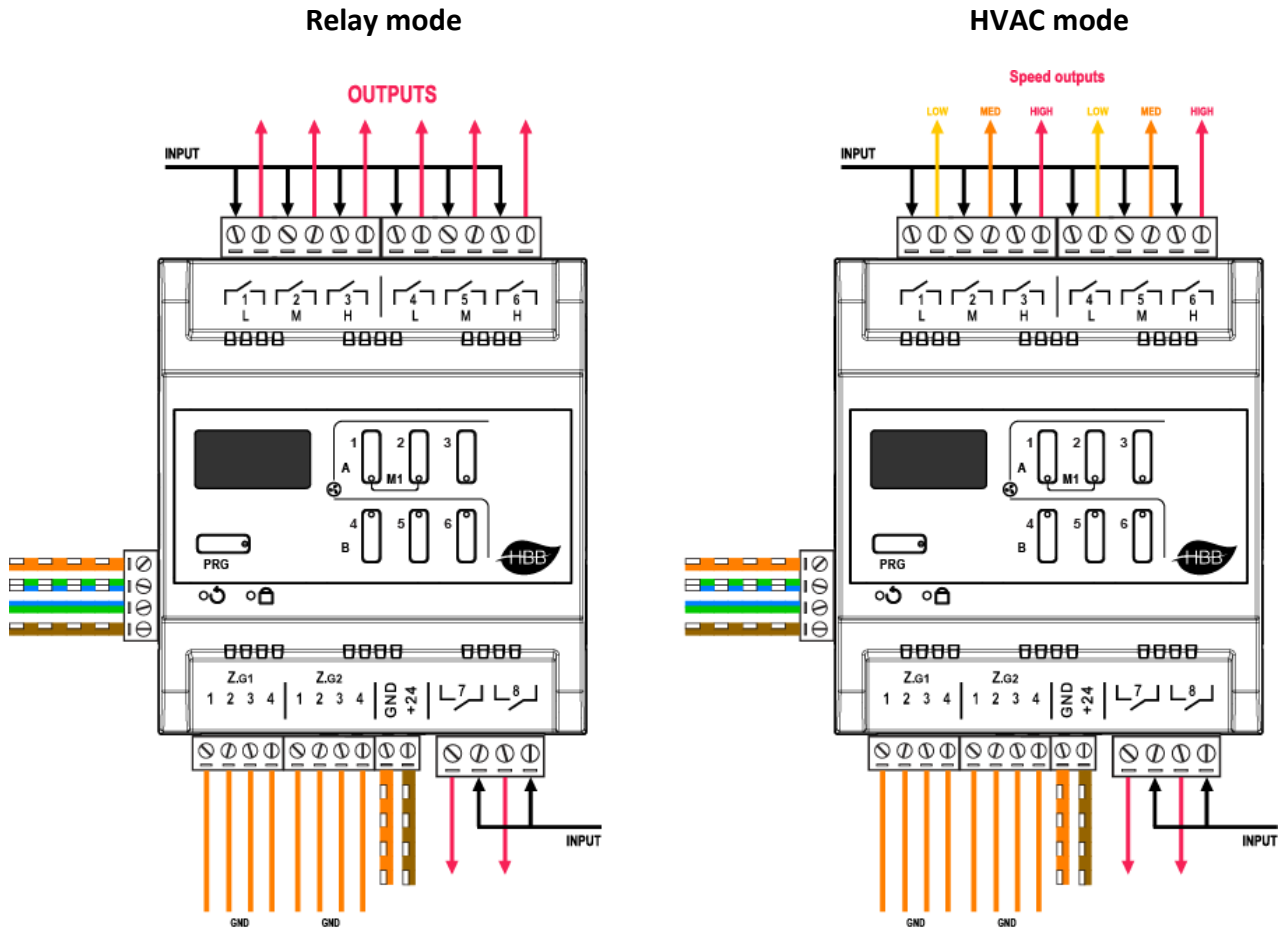
## Specifications

- Operating voltage: 18 ~ 24.5 V DC
- Maximum operating current: 2 A
- Normal operating current: 300 mA
- Outputs: 2 Fan coil / 3 Motors / 6 10A / 2 16A
- Input: 8 digital inputs
- Communication: H-BUS / WiFi 2.4Ghz
- Installation: 35 mm DIN-Rail Mount Ready, wall mount ready (8P)
- Weight: 77 g
- Size: W 90 x L 81 x H 76.7 (mm)

## Dimensions (mm)



## Electrical diagram



## Communication

H.BUS GND		orange
H.BUS GND		w/orange
H.BUS D+		blue
H.BUS D-		w/blue
H.BUS D+		green
H.BUS D-		w/green
H.BUS +24V		brown
H.BUS +24V		w/brown

