

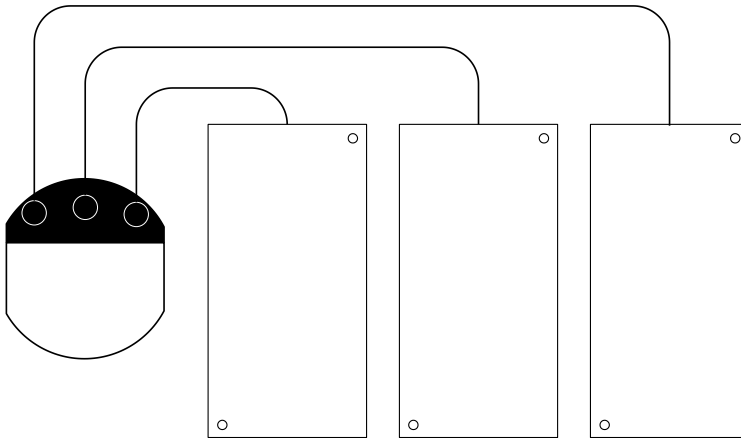
# Surface Touch

## Description

HBB Surface Touch is a hidden touch switch that can operate even behind thick objects like tables, glasses or cabinet panels. This touch switch is a useful tool for places that you can't make a switch holes or install it on walls.

## Features

- 3 surface touch pads
- Ability to sense behind thick objects
- H-BUS compatible

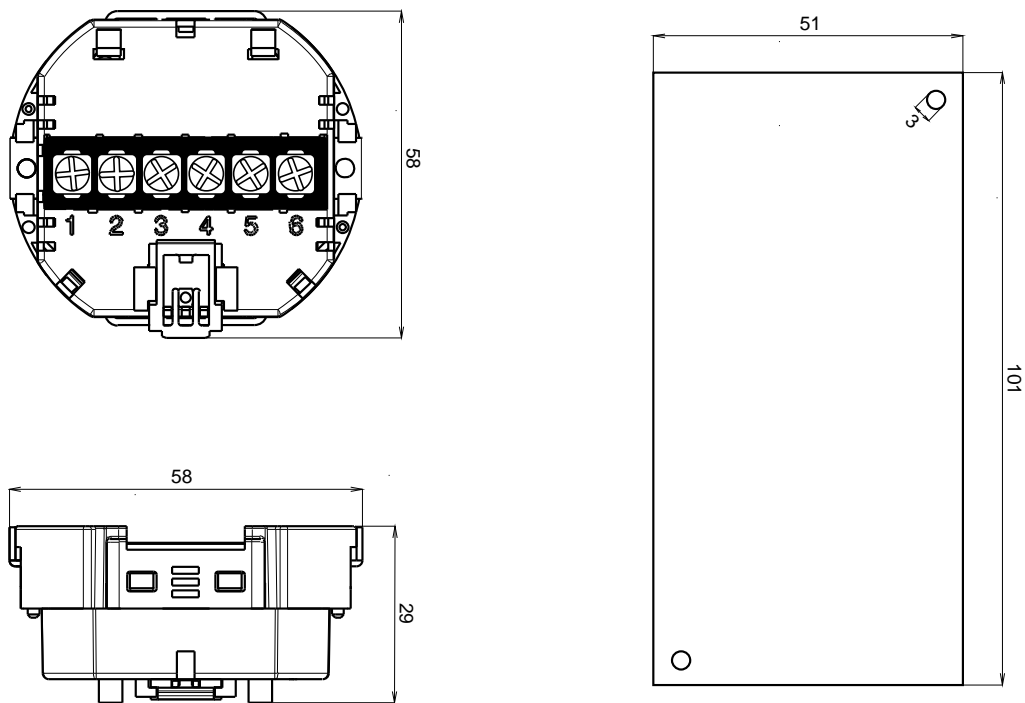


# Surface Touch

## Specifications

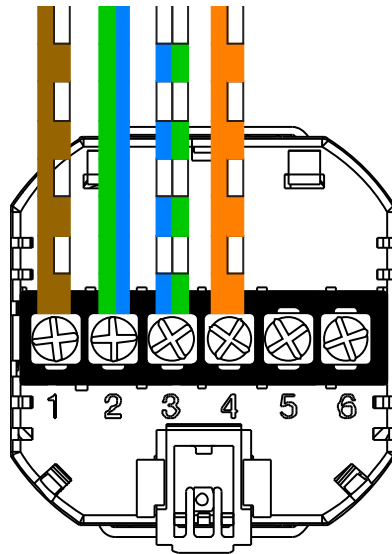
- Operating voltage: 18 ~ 24.5 V DC
- Maximum operating current: 50 mA
- Normal operating current: 20 mA
- Inputs: 3 touch pads
- Communication: H-BUS
- Weight: 50 g
- Size: W 58 x L 58 x H 42 (mm) and W 101 x L 51 x H 1.5 (mm)

## Dimensions (mm)



# Surface Touch

## Electrical diagram



## Communication

H.BUS GND		orange
H.BUS GND		w/orange
H.BUS D+		blue
H.BUS D-		w/blue
H.BUS D+		green
H.BUS D-		w/green
H.BUS +24V		brown
H.BUS +24V		w/brown

