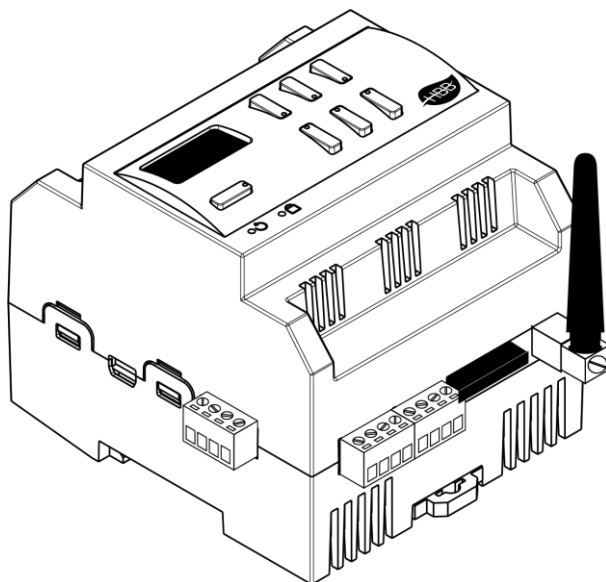


## Description

HBB SMS module brings the capability to send commands to smart home system and security system (arming/disarming) in various languages including Persian, Arabic, and English. Also, it sends status of all devices and security alarms.

## Features

- Support all GSM operators
- 3 relay outputs (1 motor / 1 fan coils / 3 dry contacts)
- 8 dry contact inputs (4 active high and 4 active low)
- H-BUS compatible
- Supports Persian, Arabic and English messages
- Standard SIM card slot
- External GSM antenna
- OLED to show working and network status
- Direct button relay control

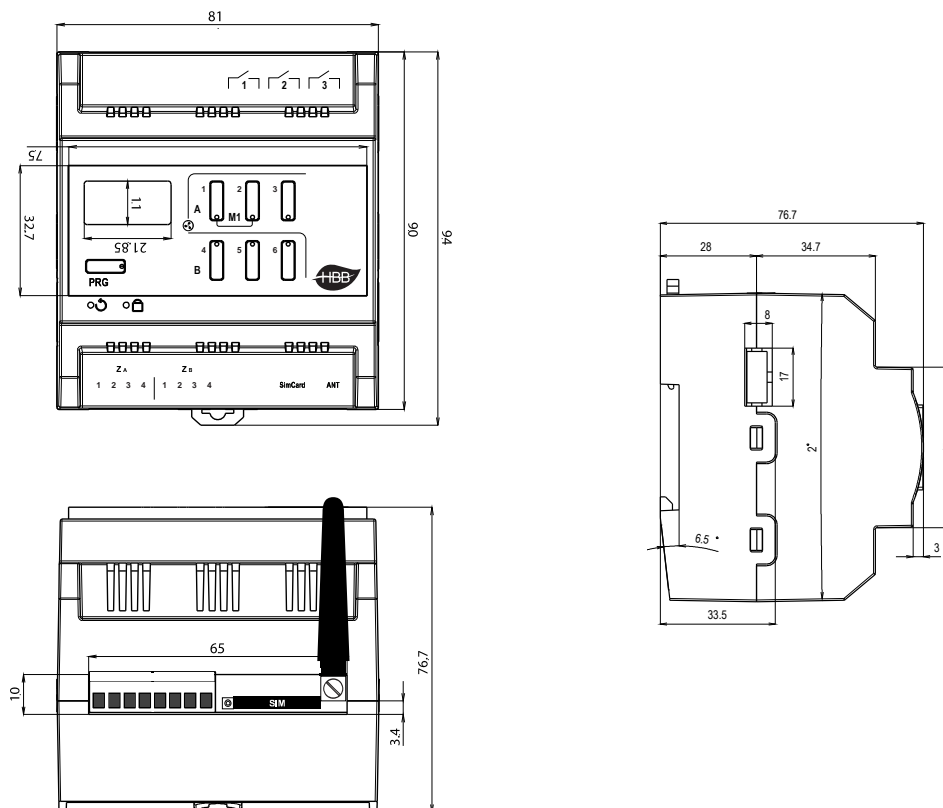


Scan me

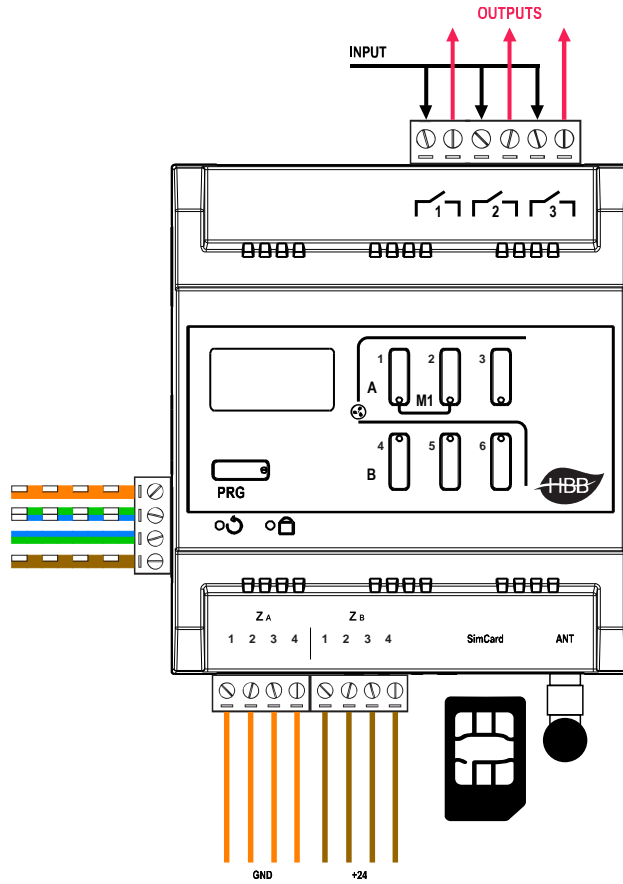
## Specifications

- Operating voltage: 10 ~ 24.5 V DC
- Maximum operating current: 2 A
- Normal operating current: 50 mA
- Frequency: 900 ~ 1900 MHz
- Outputs: 3 x Isolated switched pass through outputs, 3A per channel.
- Digital inputs (8z): 4 Active low (GND input), 4 Active high (+24 input)
- PRG Button: Debug / Broadcast detection / Factory reset
- Communication: Standard GSM, H-BUS
- SIM: Standard size SIM card
- Installation: 35 mm DIN-Rail Mount Ready, wall mount ready (8P)
- Weight: 100 g
- Size: W 90 x L 81 x H 76.7 (mm)

## Dimensions (mm)



## Electrical diagram



## Communication

H.BUS GND		orange
H.BUS GND		w/orange
H.BUS D+		blue
H.BUS D-		w/blue
H.BUS D+		green
H.BUS D-		w/green
H.BUS +24V		brown
H.BUS +24V		w/brown

