

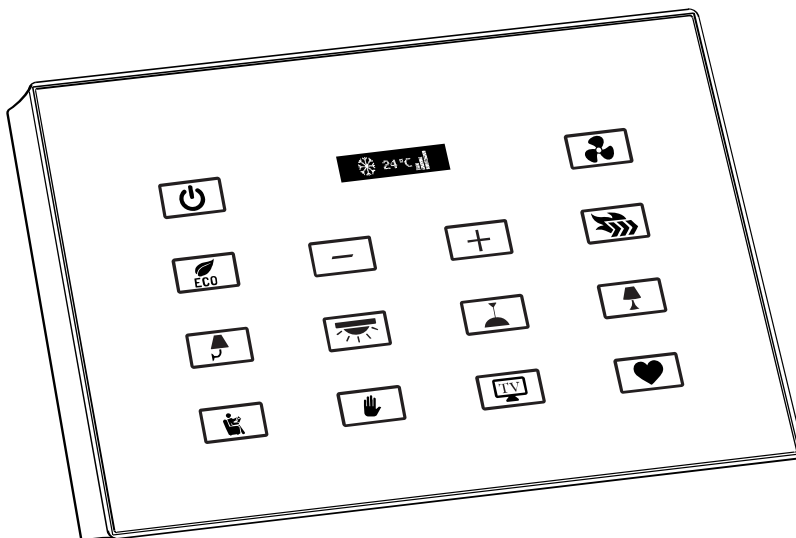
Bedside Thermostat Panel

Description

HBB Bedside Panels are the friendly members of the system that can control the utilities with only one simple touch. The perfect capacitive touch buttons can sense every touches from your skin. The LED indicators with different colors can make a smooth and beautiful view on the wall. The compatibility with H-BUS let you to control different lights or scenarios. The Thermostat version of this panels are able to control HVAC modules to control temperature of the zone.

Features

- Capacitive touch buttons
- RGB LED indicators
- H-BUS compatible
- Standard wall mount installation
- HVAC control panel
- OLED display
- Inner temperature sensor
- DIY Button defining

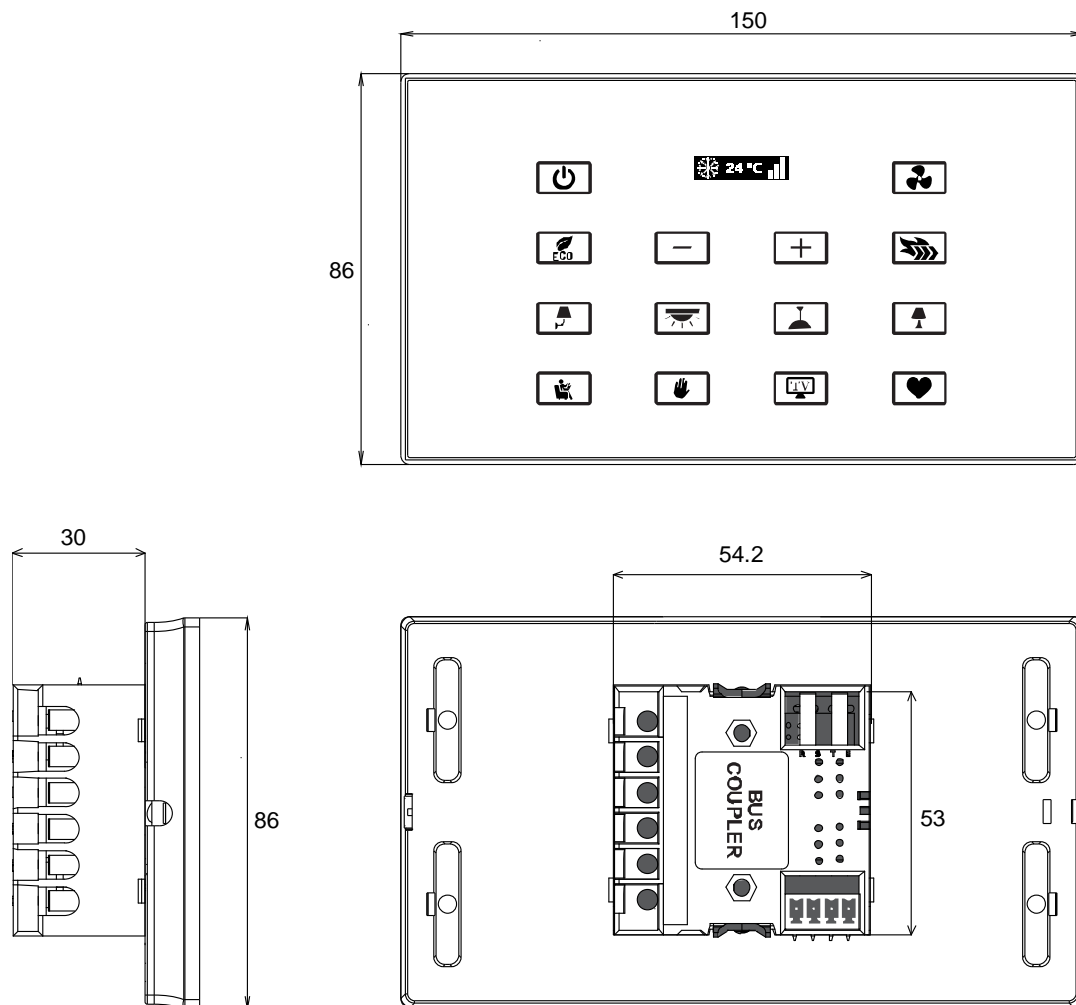


Bedside Thermostat Panel

Specifications

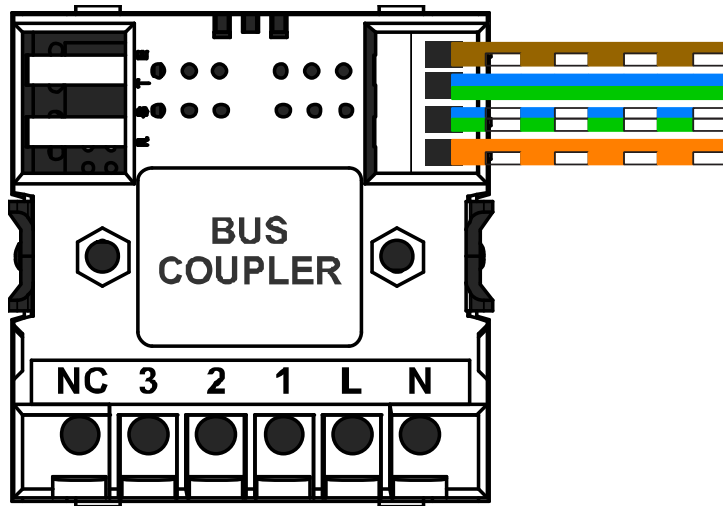
- Operating voltage: 18 ~ 24.5 V DC
- Maximum operating current: 100 mA
- Normal operating current: 50 mA
- Button type: Capacitive touch buttons
- Indicators: RGB LEDs
- Display: single color OLED
- Communication: H-BUS
- Installation: Wall mount and wall clamps
- Weight: 50 g
- Size: W 86 x L 150 x H 46.7 (mm)
-

Dimensions (mm)



Bedside Thermostat Panel

Electrical diagram



*****Caution: Data lines (D+ and D-) may differ in different models. Pay attention to the guide label behind the BUS Coupler.**

Communication

H.BUS GND		orange
H.BUS GND		w/orange
H.BUS D+		blue
H.BUS D-		w/blue
H.BUS D+		green
H.BUS D-		w/green
H.BUS +24V		brown
H.BUS +24V		w/brown

