

Description

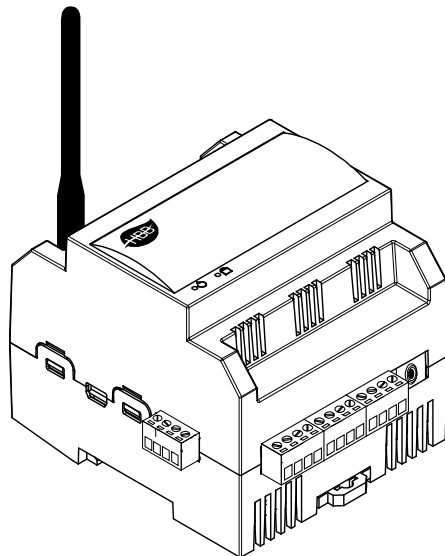
HBB Amplifier is an extension for H-Audio module that can amplify sounds which comes from the 3W output and Bluetooth input. This module is useful when there is only one Audio player and you want to connect it to different places. By placing this module near speakers you can amplify the output of H-Audio to high quality sounds.

Features

- AUX Input jack
- 50 Watts Amplified stereo outputs
- Isolated power supply

BLT version :

- Bluetooth Low Energy (BLE) V4.2
- Bluetooth audio streaming
- Bluetooth antenna
- Status indicator lights

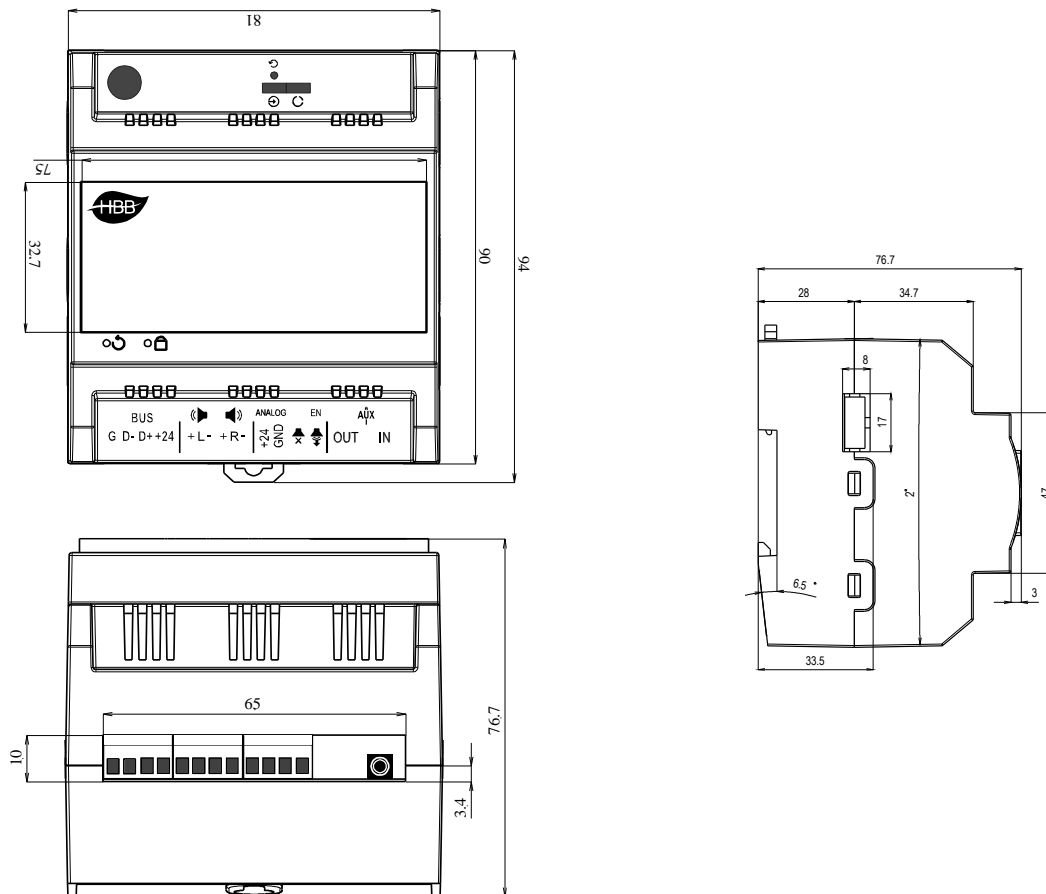


Amplifier MNV

Specifications

- Operating voltage: 15 ~ 24.5V DC
- Maximum operating current: 4.5 A
- Normal operating current: 2 A
- Outputs: 50 Watts Amplified stereo
- Inputs: AUX input 3.5 mm jack
- Communications: (BLE) V4.2
- Operating Environment: 0° to 45°C ambient temperature 10% to 93% RH
- Installation: 35 mm DIN-Rail Mount Ready, wall mount ready (8P)
- Weight: 310 g
- Size: W 90 x L 180 x H 76.7 (mm)

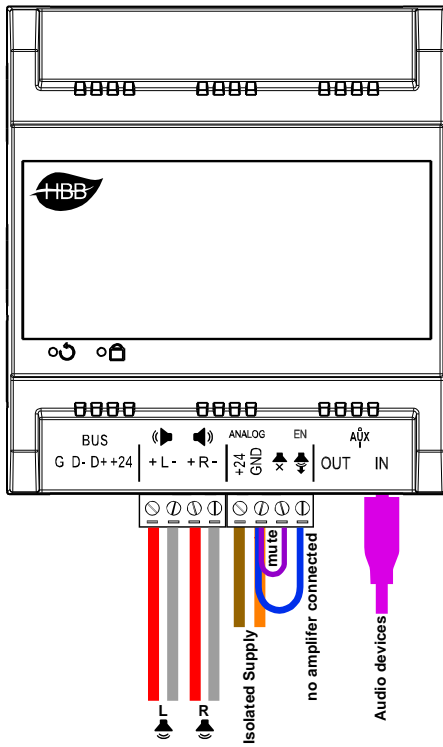
Dimensions (mm)



Amplifier MNV

Electrical diagram

AMPLIFIER



BLT-AMPLIFIER

