

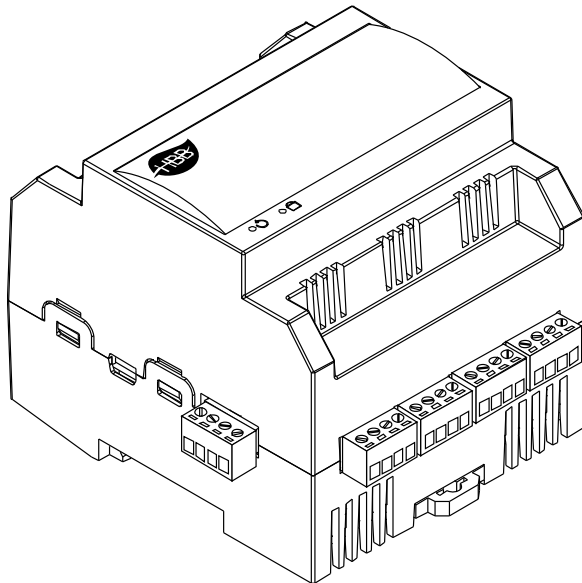
# Cable Manager 8

## Description

HBB Cable Manager 8 is a special tool for managing wires and cables that cause disorganization in panels for BUS networks. Cable manager can hub up to 8 BUS connections to the main line. This module can reduce noises and Interferences by routing the connections on PCB.

## Features

- 8 BUS connectors
- H-BUS compatible
- DIN rail installation
- Differential PCB routing

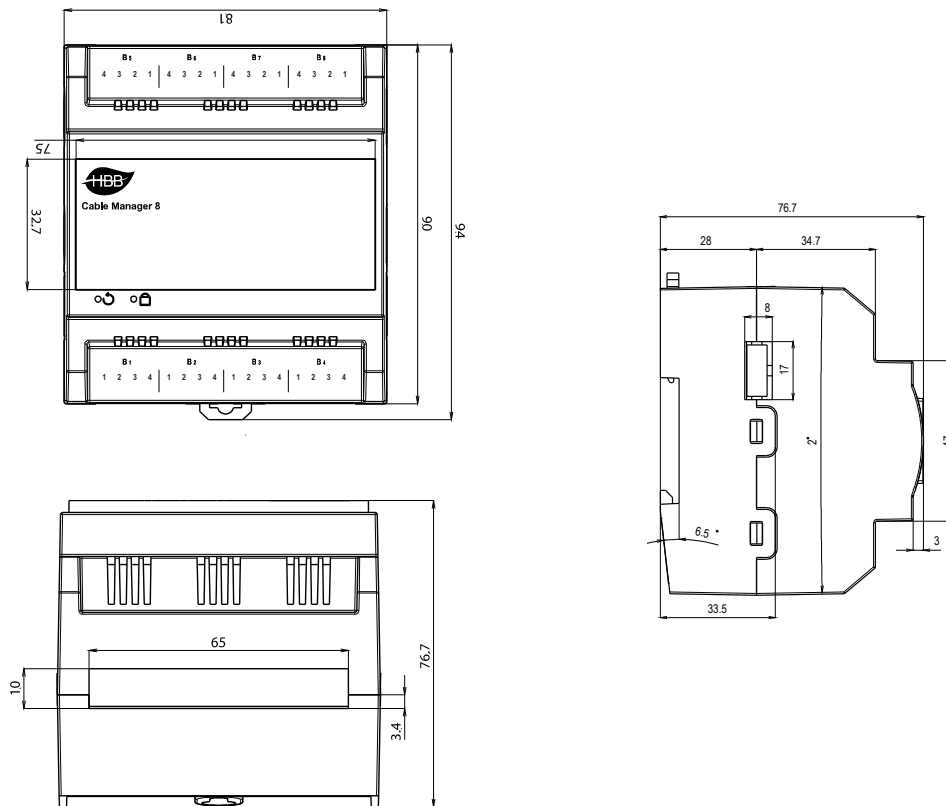


# Cable Manager 8

## Specifications

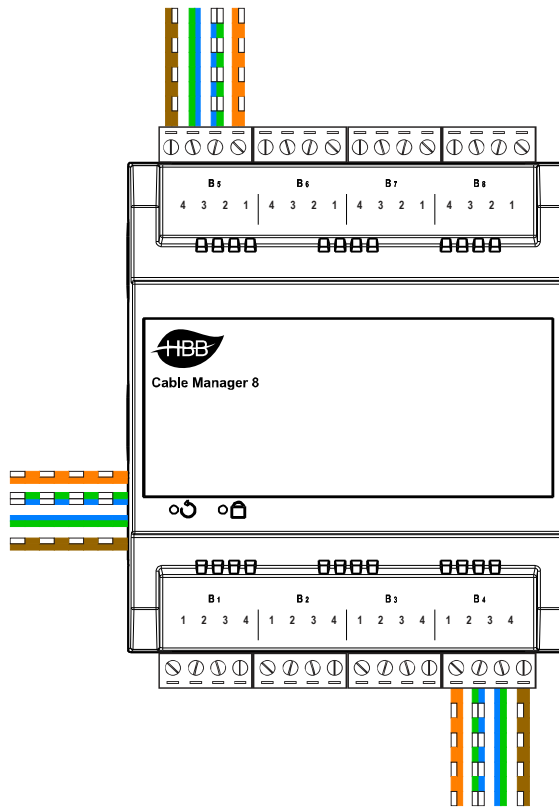
- Maximum current: 5 A per channel
- Connector: 8 BUS connectors
- Installation: 35 mm DIN-Rail Mount Ready, wall mount ready (8P)
- Weight: 100 g
- Size: W 90 x L 81 x H 76.7 (mm)

## Dimensions (mm)



# Cable Manager 8

## Electrical diagram



## Communication

H.BUS GND		orange
H.BUS GND		w/orange
H.BUS D+		blue
H.BUS D-		w/blue
H.BUS D+		green
H.BUS D-		w/green
H.BUS +24V		brown
H.BUS +24V		w/brown

